

Year 2 – Maths Homework

To help you understand what we have been learning this week I would like you to complete the following questions into your homework book.

I would also like you to spend some time reading with an adult at home and to write this down in the reading record tracking sheet in the front of your homework book.


Remember homework is due in on **WEDNESDAY 15th MARCH.**

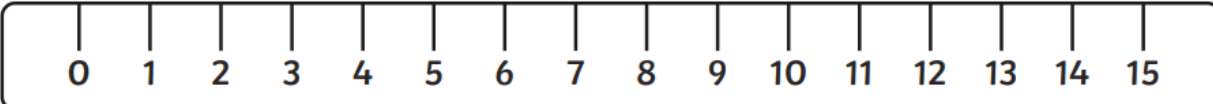
Answer the following questions in your homework book.

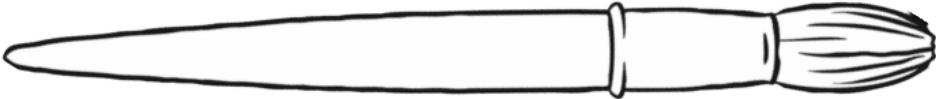
Measuring Length and Height

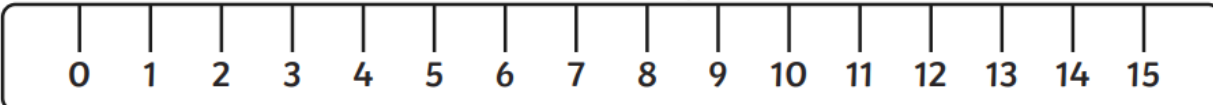
To measure length and height in centimetres.

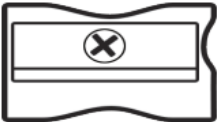
Use the ruler to measure the **length** or **height** of these objects. They are not to scale.

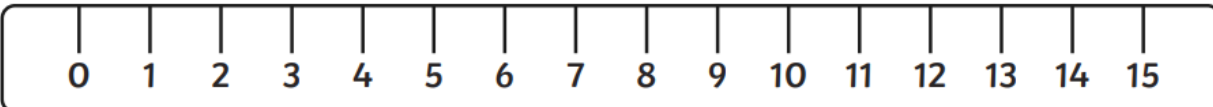
 cm




 cm

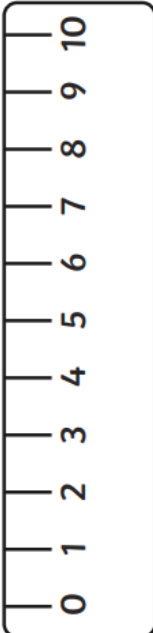


 cm

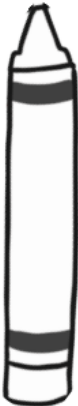


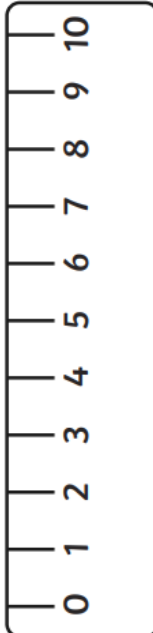
cm






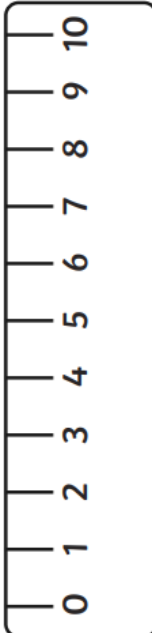
cm





cm





Compare Lengths and Heights

To compare lengths and heights.



Complete the sentences using **longer than**, **shorter than** or **the same length as**.

The letter is _____ the parcel.

The parcel is _____ the letter.



12cm



27cm

Compare these measurements using **greater than**, **less than** or **equal to**.

32cm is _____ 37cm.

17cm is _____ 17 centimetres.

19m is _____ 91m.

Compare these measurements using **<**, **>** or **=**.

31cm 31cm 49cm 52cm 10 metre 1m

Complete these statements using **<**, **>** or **=**. Work out the calculations to make it easier to compare them.

45cm + 10cm = _____ 55cm + 7cm = _____

10m + 2m = _____ 6 metres + 6 metres = _____

31cm - 15cm = _____ 13cm - 2cm = _____